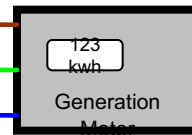
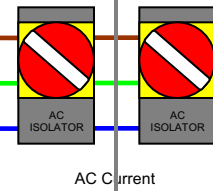
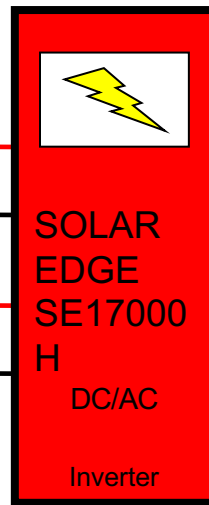


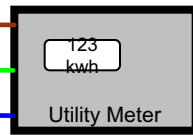
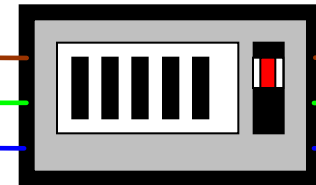
Mr Martin Burton
 St Francis Church
 Warwick Rd,
 Keynsham,
 Bristol
 BS31 2PW

Loft

Under Stairs



RCD/ 32A Breaker Unit



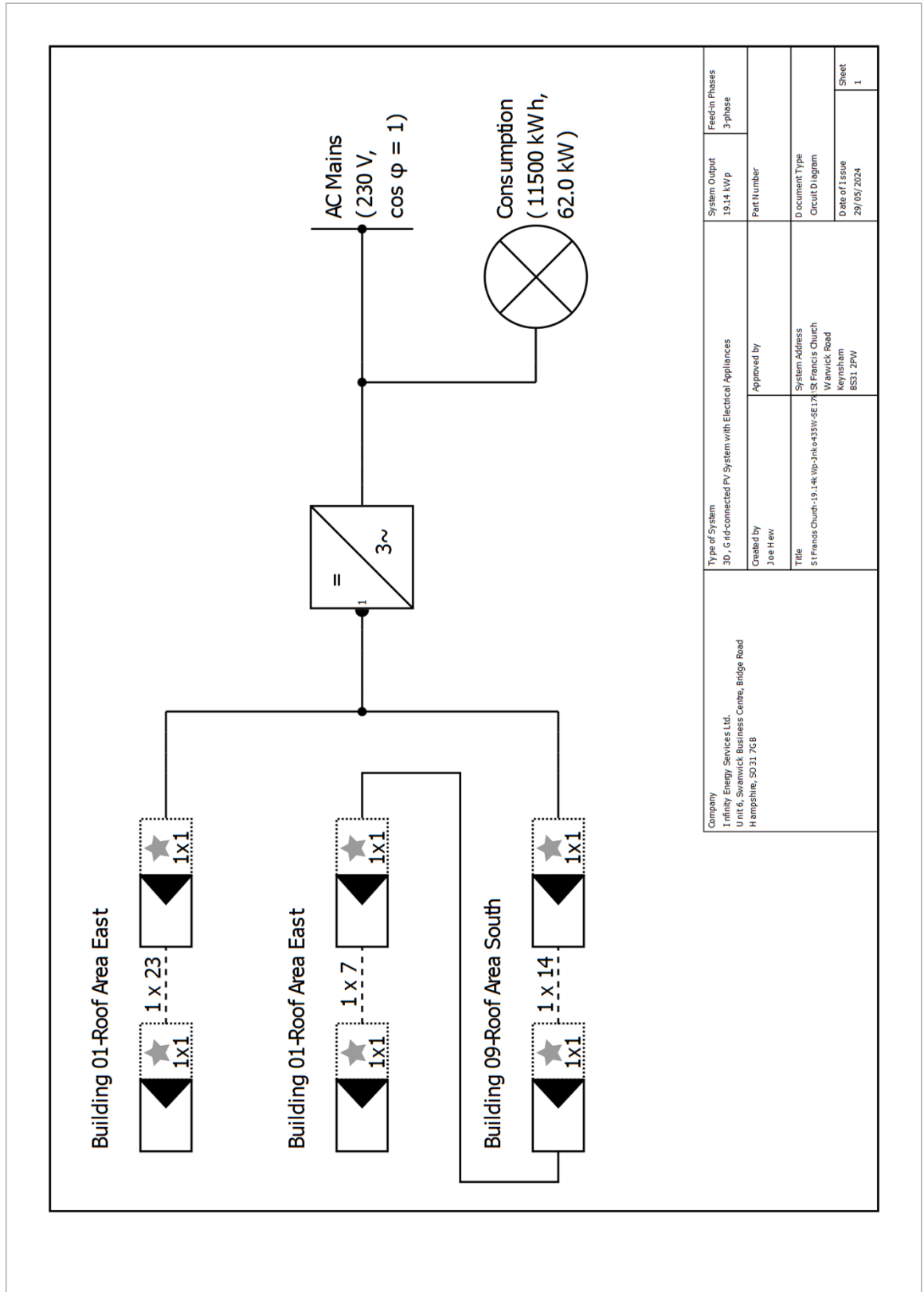
Solar Grid Schematic
Single Inverter

Protection Settings

- Over Voltage
- Under Voltage
- Over Frequency
- Disconnect Time
- Reconnect time

Plans and parts list

Circuit Diagram



Company Infinity Energy Services Ltd. Unit 6, Swanwick Business Centre, Bridge Road Hampshire, SO 31 7GB	Type of System 3D, Grid-connected PV System with Electrical Appliances	System Output 19.14 kWp	Feed-in Phases 3-phase
Created by Joe Hew	Approved by	Part Number	
Title St Francis Church-19.14kWp-Jinko435W-SE17kW	System Address St Francis Church Wanwick Road Keynsham BS31 2FW	Document Type Circuit Diagram	
		Date of Issue 29/05/2024	Sheet 1

Figure: Circuit Diagram