



Unit 14, Premier Business Park, Huntspill Rd
Highbridge. Somerset TA9 3DE

Office: 01278 773733 Mobile: 07850 969342



7th May 2024

David Hill
St Peter and All Hallows Church
West Huntspill
Somerset

Dear David,

Projector Wall Mount

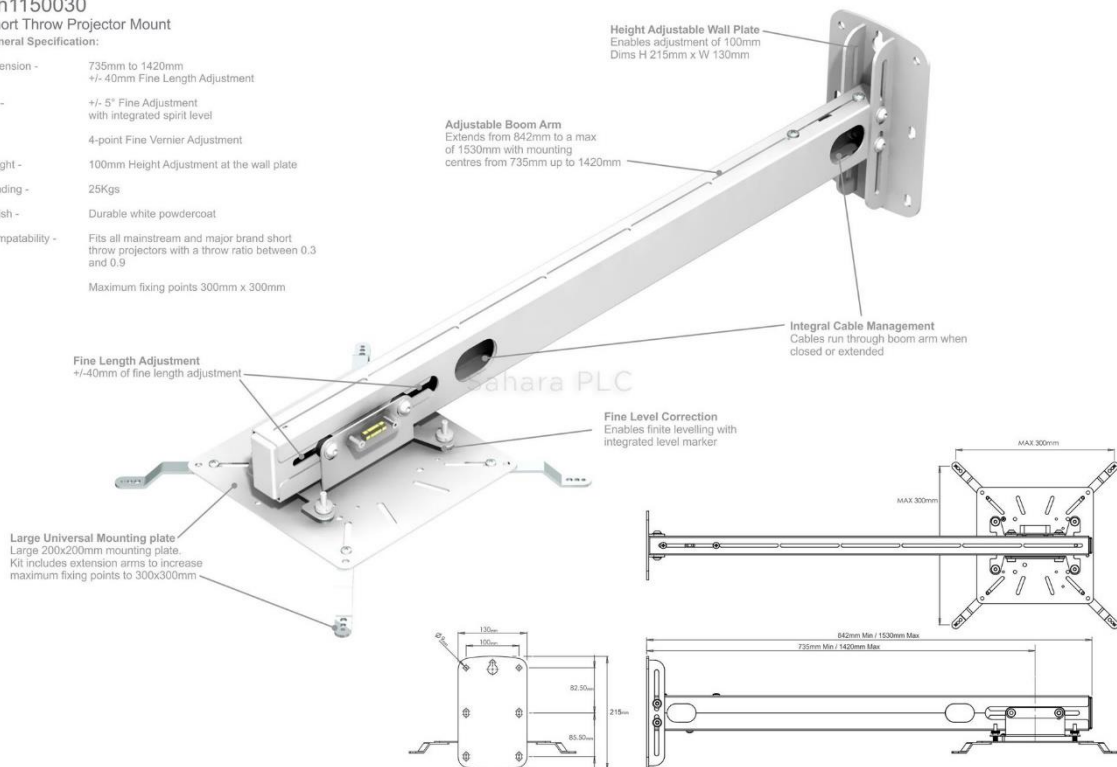
Further to our conversation today, I am pleased to provide you with further details as requested.

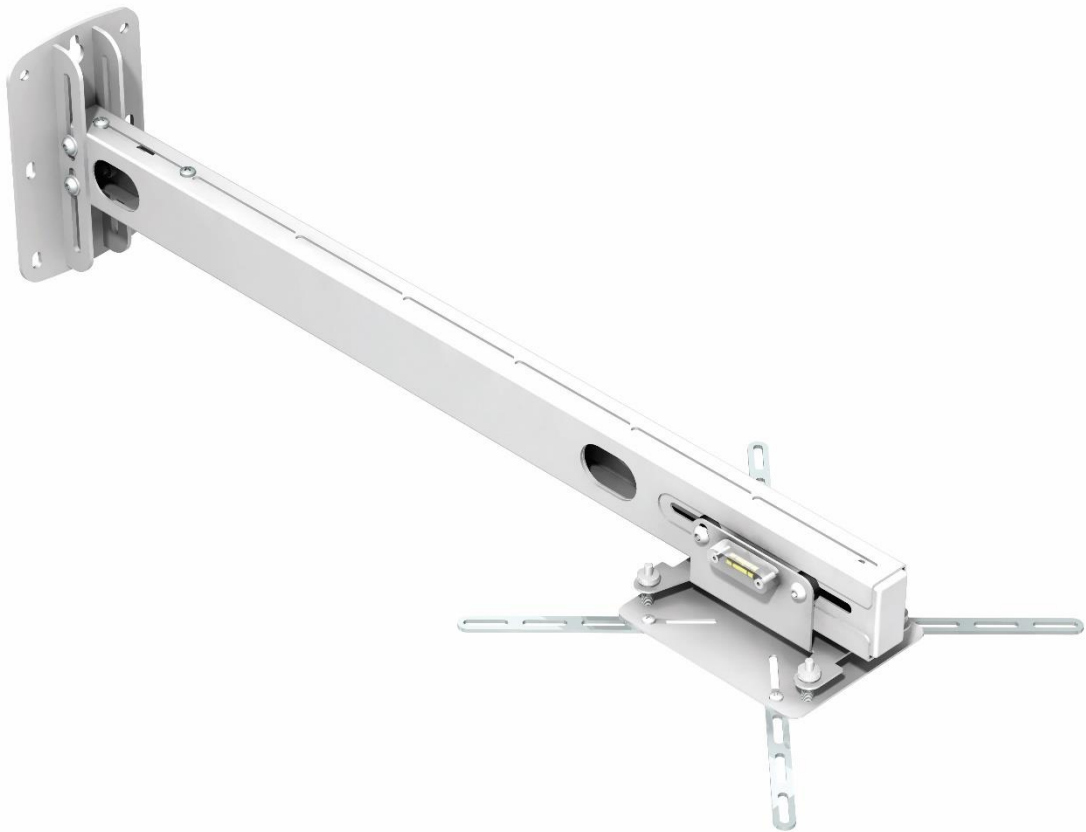
We will be using a standard Sahara AV Wall mounted projector mount as shown below, The whole mount will be finished in white and screwed with four coach screws to the designated area between the arches. The projector is 14kg net weight and the mount has a safe weight limit of 25Kg. The boom arm is hollow to allow connection and power cables to be run within the boom arm for neatness.

Sh1150030
Short Throw Projector Mount

General Specification:

Extension -	735mm to 1420mm ±/-40mm Fine Length Adjustment
Tilt -	±/- 5° Fine Adjustment with integrated spirit level 4-point Fine Vernier Adjustment
Height -	100mm Height Adjustment at the wall plate
Loading -	25Kgs
Finish -	Durable white powdercoat
Compatibility -	Fits all mainstream and major brand short throw projectors with a throw ratio between 0.3 and 0.9 Maximum fixing points 300mm x 300mm





I trust that this is what you require at this stage, but please feel free to contact me with any questions. I will be looking at my emails most days whilst away in Vancouver, so I should be able to answer any questions you have, although there may not be an immediate response due to the time zone differences.

Kind regards,

Yours sincerely,

Graham Cook
GC Sound and Light